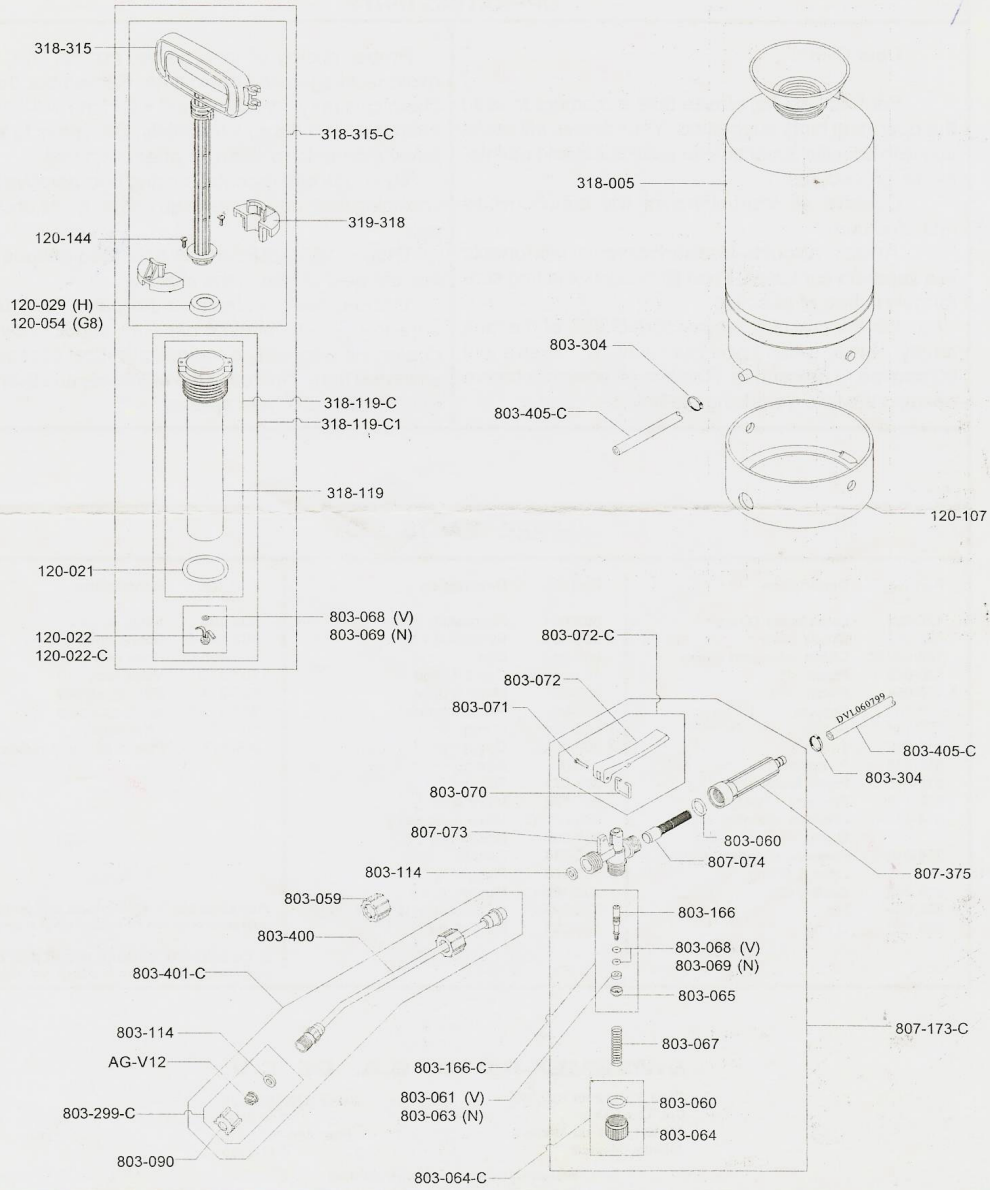


Portable Plastic Sprayer MODEL 318



SPARE PARTS LIST

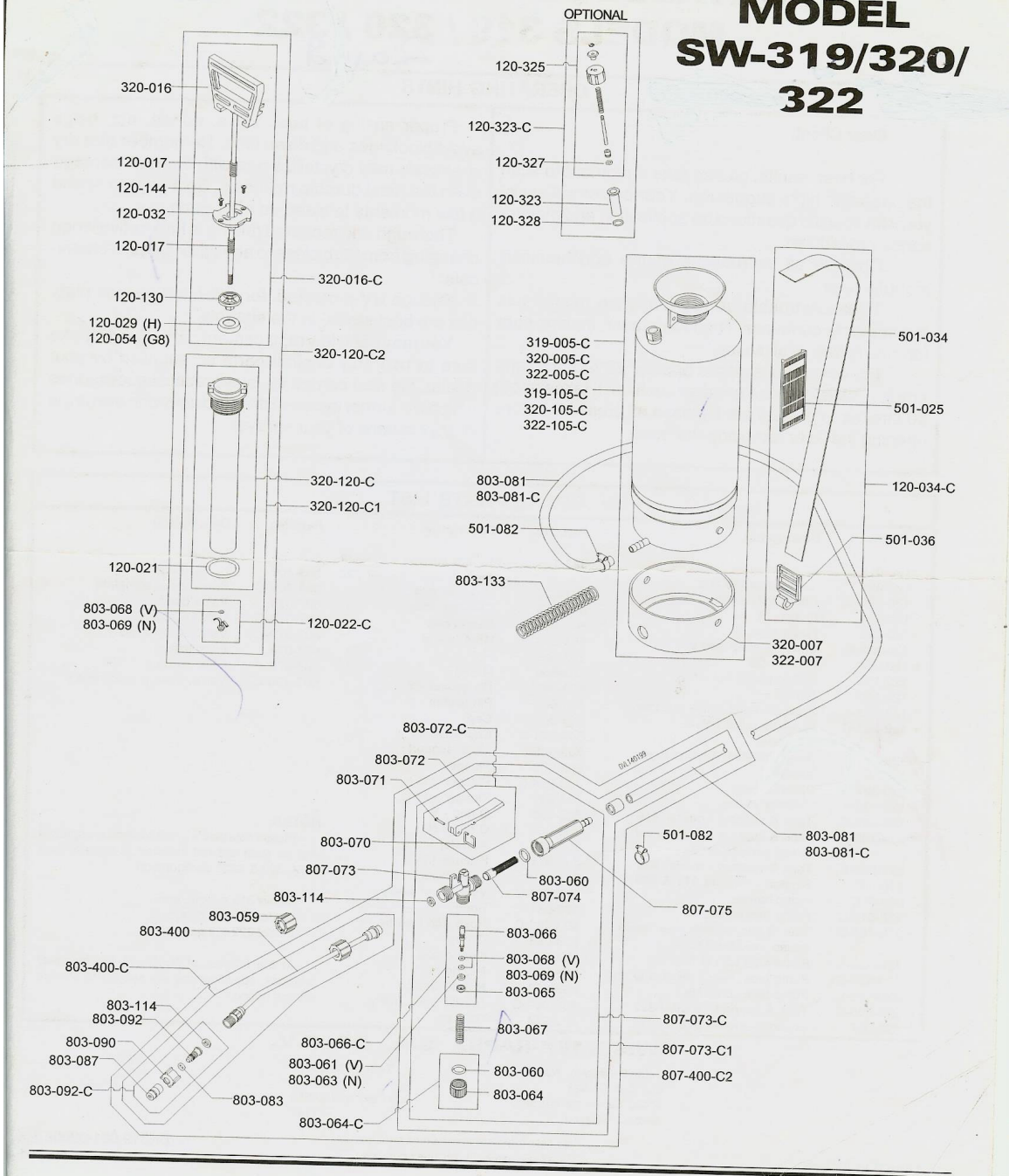
Part No.	Description	Part No.	Description	Part No.	Description
120-021	Large pump O'ring	803-061	Pin gasket - V	803-400	Spray lance
120-022	Check valve	+ 803-063	Pin gasket - N	803-401-C	Spray lance ass'y
120-022-C	Check valve with O'ring	803-064	Cap	803-405-C	Hose with clamps
120-029	Piston - H	803-064-C	Cap & O'ring	807-073	Valve body 807
+ 120-054	Piston - G8	803-065	Metal support	807-074	Filter insert 807
120-107	Support	803-067	Plunger spring	807-173-C	Valve complete
120-144	Screw	803-068	O'ring - V	807-375	Filter housing
318-005	Tank	+ 803-069	O'ring - N	AG-V12	Plastic jet spray nozzles
318-315	Pump handle	803-070	Arrestor		
318-315-C	Pump handle ass'y	803-071	Fulcrum pin		
318-119	Pressure chamber	803-072	Valve lever		
318-119-C	Pressure chamber with O'ring	803-072-C	Valve lever ass'y		
318-119-C1	Pressure chamber w/check valve & O'ring	803-090	Nozzle nut		
319-318	Sealing cap	803-114	Gasket		
803-059	Nut	803-166	Plunger		
803-060	O'ring	803-166-C	Plunger ass'y		
		803-299-C	Nozzle nut w/gasket & 25 jet		
		803-304	HS-4 clamp		

NOTES:

Please note that "+" marked items are optional and as such are not included in the standard 318 configuration.

In the interest of continued technological progress, specifications are subject to change without notice.

MODEL SW-319/320/ 322



SPARE PARTS LIST

Part. No.	Description	Part. No.	Description	Part. No.	Description
120-017	Spring	322-105-C	Tank & support with relief valve thread - model 322	803-133	Spring
120-021	Large pump O'ring	501-025	Shoulder pad	803-400	Spray lance
120-022-C	Check valve with O'ring	501-034	Carrying strap	803-400-C	Spray lance complete
120-029	Piston - H	501-036	Strap hook	807-073	Valve body
120-032	Pump cap	501-082	HS-6 clamp	807-073-C	Valve complete
120-034-C	Carrying strap ass'y	803-059	Nut	807-073-C1	Valve & hose ass'y
+ 120-054	Piston - G8	803-060	O'ring	807-074	Filter insert
120-130	Plastic piston holder	+ 803-061	Pin gasket - V	807-075	Filter housing
120-144	Screw	803-063	Pin gasket - N	807-400-C2	Valve, hose & lance ass'y
+ 120-323	Pressure-relief valve cylinder	803-064	Cap		
+ 120-323-C	Pressure-relief valve complete	803-064-C	Cap & O'ring		
+ 120-325	Pressure-relief valve plunger ass'y	803-065	Metal support		
+ 120-327	Piston O'ring	803-066	Plunger		
+ 120-328	Cylinder O'ring	803-066-C	Plunger ass'y		
319-005-C	Tank & support - model 319	803-067	Plunger spring		
+ 319-105-C	Tank & support with relief valve thread - model 319	+ 803-068	O'ring - V		
320-005-C	Tank & support - model 320	803-069	O'ring - N		
320-007	Support - models 319 & 320	803-070	Arrestor		
320-016	Pump handle	803-071	Fulcrum pin		
320-016-C	Pump handle ass'y	803-072	Valve lever		
+ 320-105-C	Tank & support with relief valve thread - model 320	803-072-C	Valve lever ass'y		
320-120-C	Pump tube with O'ring	803-081	Hose		
320-120-C1	Pump tube, check valve & O'ring	803-081-C	Hose with clamps		
320-120-C2	Pump tube complete	803-083	O'ring		
322-005-C	Tank & support - model 322	803-087	Nozzle cap		
322-007	Support - model 322	803-090	Nozzle nut		
		803-092	Nozzle body		
		803-092-C	Nozzle body ass'y		
		803-114	Gasket		

NOTES:
Please note that "+" marked items are optional and as such are not included in the standard "319, 320 & 322" configuration.

Model 319 = 1 gal. unit.
Model 320 = 2 gals. unit.
Model 322 = 3 gals. unit.

In the interest of continued technological progress, specifications are subject to change without notice.

SPARE PARTS LIST

No. Part	Code	DESCRIPTION	No. Part	Code	DESCRIPTION
1G	501-019-C	Pressure chamber ass'y	33	803-166	Plunger
2	501-021	O'ring	33G	803-067-C	Plunger ass'y
3	501-024	Cylinder	34	803-068	O'ring - V
3G	501-401-C	Cylinder ass'y	35	803-063	Pin gasket - N
4	501-027	O'ring	36	803-065	Metal support
5	501-023	O'ring	37	803-067	Plunger spring
6	501-401	Valve plate - V	38	803-164	Cap
7	501-390	Check valve	39	803-072	Valve lever
8	501-055	Valve screw	39G	803-072-C	Valve lever ass'y
9G	501-054-C	Sleeve and spring - G8	40	803-071	Fulcrum pin
10	501-056	Sleeve spring	41	803-070	Arrestor
11	501-031	Piston and pin	42	803-059	Nut
11G	501-031-C	Piston with pump lever ass'y	43	803-085	Spray lance
12	501-013	Piston pin	43G	803-285-C	Spray lance ass'y
13	501-043	Connecting rod ass'y	44	803-114	Gasket
14	501-012	Pump lever and pin	45	803-262	Nozzle body
15	501-041	Dust cap	45G	803-262-C	Nozzle body ass'y
15G	425-035-C	Dust cap and hex. screw ass'y	46	803-083	O'ring
16	501-181	Hex. screw	47	219-216	Nozzle nut
17	170-043	Nut	48	803-263	Nozzle cap
18	425-505	Tank	49G	500-247-C	Swingback pump handle ass'y
19	080-004	Strainer	50	501-050	"R" lock pin 1/8"
20G	425-301-C	Tank lid ass'y	51	501-010	Washer
23	080-002	Lid gasket	52G	500-255-C	Horizontal pump shaft
24	501-020	Breather check	53G	501-045-C	Hex. screw ass'y
25	425-206	Pump shaft bushing	54	501-138	1/2" wrench
26G	476-008-C	Plastic clamp ass'y	55	501-025	Shoulder pad
27	501-082	Clamp SX 9-18	56	501-234	Carrying strap
28	803-481	Hose	56G	501-334-C	Carrying strap ass'y
28G1	807-090-C1	Hose with valve body 807 S. ass'y	57	189-036	Strap hook
29	807-075	Filter housing	58	501-035	Strap buckle
30	803-060	O'ring			
31	807-074	Filter insert			
32	807-173	Valve body			
32G	807-805-C	Valve body ass'y			

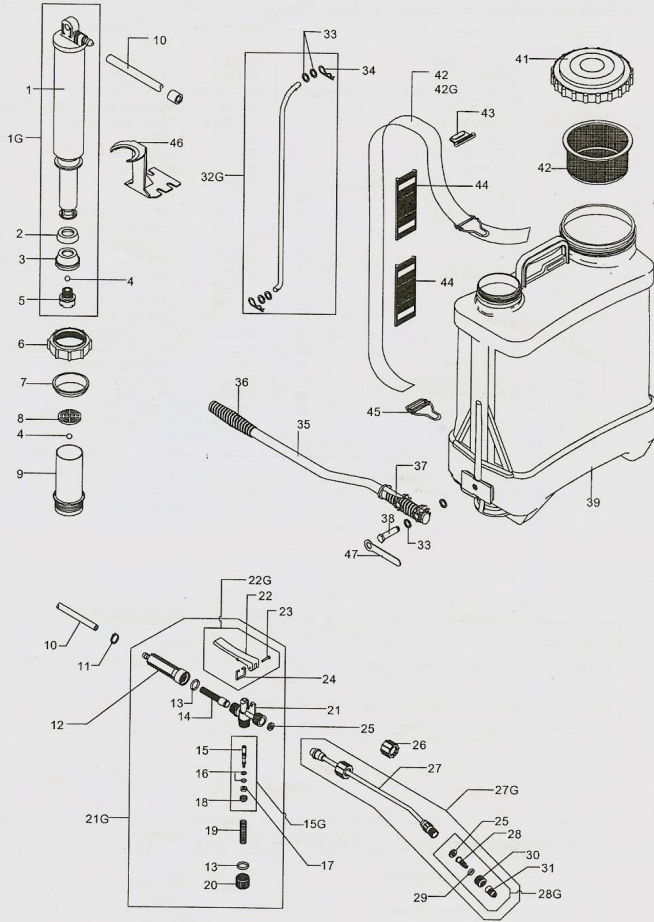
In the interest of continued technological progress, specifications are subject to change without notice.

Litho'd in Mexico

BN500.001-0305E/E
Rev.0

Knapsack sprayer model 400.030

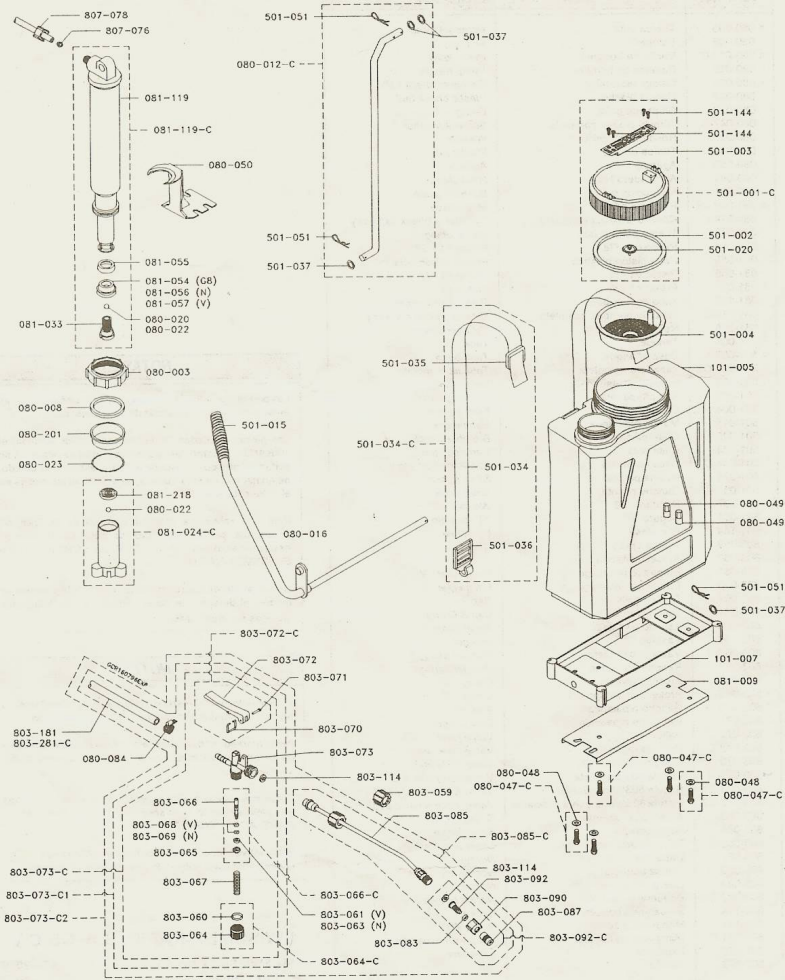
SPARE PARTS LIST



Knapsack Sprayer modelo 400.030

Spare Parts List

No. Part	Code	Description	No. Part	Code	Description
1	300-019	Pressure chamber	24	803-070	Arrestor
1G	300-019-C	Pressure chamber ass'y	25	803-114	Gasket
2	080-030	Piston holder	26	803-059	Nozzle nut
3	080-054	Piston sleeve	27	803-085	Spray lance
4	080-022	Plastic check ball	27G	803-285-C	Spray lance ass'y
5	080-033	Piston fitting	28	803-262	Nozzle body
6	080-003	Pump holder nut	28G	803-262-C	Nozzle body ass'y
7	080-201	Bushing guide	29	803-083	O ring
8	080-218	Cylinder screen	30	219-211	Nozzle nut
9	300-024	Cylinder	31	803-263	Nozzle cap
10	803-081	Hose	32G	400-012-C	Pump lever complete
11	501-082	SX 9-18 clamp	33	326-037	Washer 7/16"
12	807-075	Filter housing	34	326-051	"R" lock pin 2/16"
13	803-060	O'ring	35	400-016	Pump handle
14	807-074	Filter	36	501-015	Handle grip
15	803-166	Plunger	37	400-083	Handle reinforcement
15G	803-067-C	Plunger ass'y	38	400-020	Shaft bolt
16	803-068	O'ring - V	39	400-305	Tank
17	803-063	Pin gasket	40	400-004	Strainer
18	803-065	Metal support	41	400-001	Tank lid
19	803-067	Plungerspring	42	326-034	Carrying strap
20	803-164	Cap	42G	400-134-C	Carrying strap ass'y
21	807-173	Valve body	43	400-219	Carrying strap holder
21G	807-075-C	Valve body ass'y	44	501-025	Shoulderpad
22	803-072	Valve lever	45	400-036	Strap hook
22G	803-072-C	Valve lever ass'y	46	080-050	Agitator
23	803-071	Fulcrum pin	47	501-138	1/2" wrench



Part. No.	DESCRIPCION / DESCRIPTION
= 080-003	Tuerca guia <i>Pump holder nut</i>
080-008	Estopero <i>Felt ring</i>
= 080-012-C	Varilla de bombeo <i>Pump lever</i>
= 080-016	Palanca de bombeo <i>Pump handle</i>
+ 080-020	Canica inoxidable <i>Stainless check ball</i>
080-022	Canica plástica <i>Plastic check ball</i>
080-023	Empaque guia <i>O ring</i>
080-047-C	Tomillo p/base completo <i>Screw w/washer</i>
080-048	Rondana p/tornillo <i>Washer</i>
080-049	Tuerca p/base <i>Plastic nut</i>
080-050	Agitador <i>Agitator</i>
080-084	Abrazadera HS-4 <i>HS-4 clamp</i>
080-201	Reducción guia <i>Bushing guide</i>
= 081-009	Refuerzo p/base <i>Metal base</i>
081-024-C	Cilindro c/canica completo <i>Cylinder w/check ball ass'y</i>
081-033	Tuerca porta pistón <i>Piston fitting</i>
081-054	Pistón 81 - G3 <i>Piston 81 - G3</i>
081-055	Porta pistón plástico <i>Plastic piston holder</i>
+ 081-056	Pistón 81 - N <i>Piston 81 - N</i>
+ 081-057	Pistón 81 - V <i>Piston 81 - V</i>
081-119	Tubo de bombeo <i>Pressure chamber</i>
081-119-C	Tubo de bombeo completo <i>Pressure chamber ass'y</i>
081-218	Rejilla p/cilindro <i>Cylinder screen</i>
101-005	Tanque <i>Tank</i>
= 101-007	Base p/tanque <i>Tank base</i>
= 501-001-C	Tapadera completa <i>Tank lid complete</i>
501-002	Empaque p/tapadera <i>Lid gasket</i>
= 501-003	Asa p/tapadera <i>Carrying handle</i>
501-004	Coladera <i>Filter screen</i>
501-015	Mango p/palanca <i>Handle grip</i>
501-020	Champiñón <i>Breather check</i>
501-034	Cinta sola <i>Carrying strap</i>
501-034-C	Cinta completa <i>Carrying strap ass'y</i>
501-035	Hebilla p/cinta <i>Strap buckle</i>
501-036	Gancho p/cinta <i>Strap hook</i>
501-037	Rondana 1/2" <i>Washer 1/2"</i>
501-051	Seguro "R" <i>"R" lock pin</i>
501-144	Pija plasa <i>Lid screw</i>
803-059	Tuerca unión <i>Nut</i>
803-060	Arosello p/tapón <i>O ring</i>
803-061	Empaque p/vástago - V <i>Pin gasket - V</i>
+ 803-063	Empaque p/vástago - N <i>Pin gasket - N</i>
803-064	Tapón p/válvula <i>Cap</i>
803-064-C	Tapón c/arosello <i>Cap & O ring</i>
803-065	Asiento p/vástago <i>Metal support</i>
803-066	Vástago <i>Plunger</i>
803-066-C	Vástago completo <i>Plunger ass'y</i>
803-067	Resorte p/vástago <i>Plunger spring</i>
803-068	Arosello p/vástago - V <i>O ring - V</i>
+ 803-069	Arosello p/vástago - N <i>O ring - N</i>
803-070	Gancho p/palanca <i>Arrestor</i>
803-071	Remache p/palanca <i>Fulcrum pin</i>
803-072	Palanca <i>Valve lever</i>
803-072-C	Palanca c/gancho <i>Valve lever ass'y</i>
803-073	Cuerpo p/pistola 803 <i>Valve body 803</i>
+ 803-073-C	Pistola 803 completa <i>Valve complete 803</i>
803-073-C1	Pistola 803 c/manguera <i>Valve & hose ass'y 803</i>
803-073-C2	Pistola 803 c/manguera y rociador <i>Valve, hose & lance ass'y 803</i>
803-083	Arosello p/boquerel <i>O ring</i>
803-085	Tubo rociador <i>Spray lance</i>
803-085-C	Tubo rociador completo <i>Spray lance ass'y</i>
803-087	Capuchón <i>Nozzle cap</i>
803-090	Tuerca boquerel <i>Nozzle nut</i>
803-092	Cuerpo boquerel <i>Nozzle body</i>
803-092-C	Boquerel completo <i>Nozzle body ass'y</i>
803-114	Empaque p/boquerel <i>Gasket</i>
803-181	Manguera 5/16" <i>Hose 5/16"</i>
803-281-C	Manguera c/expansor <i>Hose with expander</i>
807-076	Expansor <i>Expander</i>
807-078	Tuerca <i>Nut</i>

BASIC CONFIGURATION

Part No.	Code	Description	Part No.	Code	Description
1	081-019	Pressure chamber	29G	803-285-C	Spray lance ass'y
1G	081-019-C	Pressure chamber ass'y	30	803-262	Nozzle body
2	081-055	Plastic piston holder	30G	803-262-C	Nozzle body ass'y
3	081-054	Piston - G8	31	803-083	O ring
4	080-022	Plastic check ball	32	219-216	Nozzle nut
5	081-033	Piston fitting	33	803-263	Nozzle cap
6	080-003	Pump holder nut	34	081-005	Tank
7	080-008	Felt ring	35	081-004	Filler screen
8	080-201	Bushing guide	36	080-001	Tank lid
9	080-023	O ring	36G	080-001-C	Tank lid ass'y
10	081-218	Cylinder screen	37	080-006	Carrying handle
11	081-024	Cylinder	38	501-144	Lid screw
11G	081-024-C	Cylinder ass'y	39	501-020	Breather valve
12G	803-081	Hose 3/8" with clamps	40	080-002	Lid gasket
13	501-082	SX 9-18 clamp	41	081-007	Tank base
14	807-075	Filter housing	42	189-149	Plastic nut
15	803-060	O ring	43G	081-032-C	Screw w/washer ass'y
16	807-074	Filter insert	44	080-048	Washer 5/16"
17	803-173	Valve body 807	44G	080-047-C	Screw hook
17G	807-805-C	Valve body 807 ass'y	45	080-039	Hip support
17G1	807-065-C	Valve and hose ass'y 807	46G	080-012-C	Pump lever
18	803-166	Plunger	47	501-037	Washer 1/2"
18G	803-067-C	Plunger ass'y	48	501-051	"R" lock pin
19	803-068	O ring - V	49	082-016	Pump handle
20	803-063	Pin gasket - N	50	501-015	Handle grip
21	803-065	Metal support	51	080-050	Agitator
22	803-067	Plunger spring	52	501-034	Carrying strap ass'y
23	803-164	Cap	52G	080-034-C	Strap hook
24	803-072	Valve lever	53	080-036	Strap hook
24G	803-072-C	Valve lever ass'y	54	501-025	Shoulder pad
25	803-071	Fulcrum pin	55	501-035	Strap buckle
26	803-070	Arrestor	56	080-034	Carrying strap
27	803-114	Gasket	56G	080-139-C	Carrying strap ass'y
28	803-059	Nut	57	501-010	Washer
29	803-085	Spray lance			

BASIC CONFIGURATION

